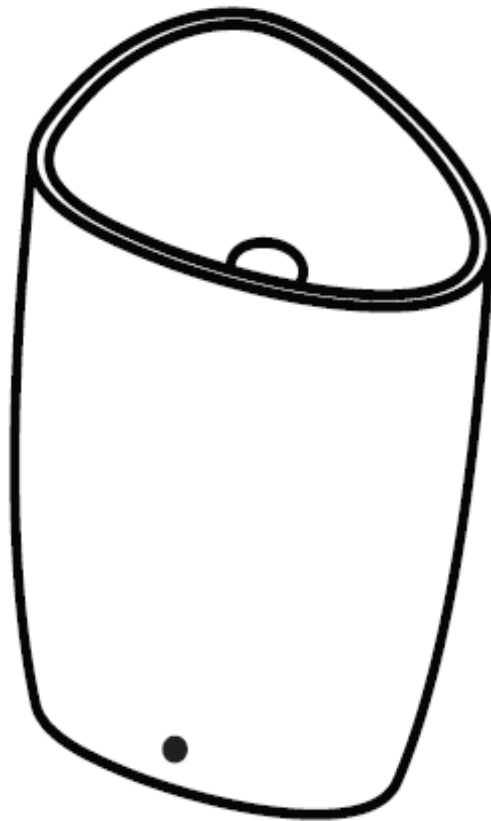
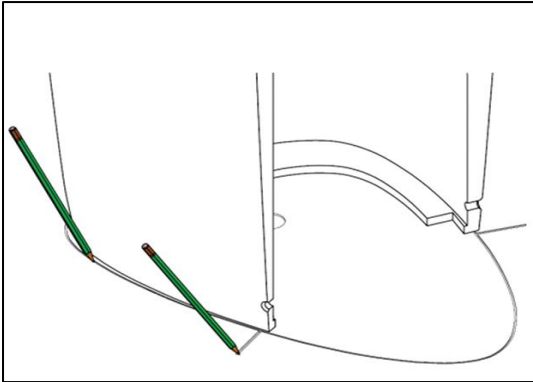


BOCCHI

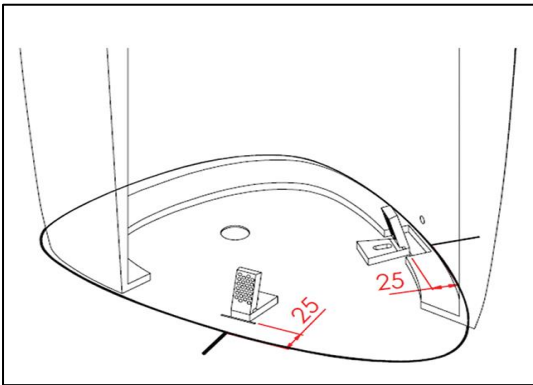
IL BAGNO PER TUTTI



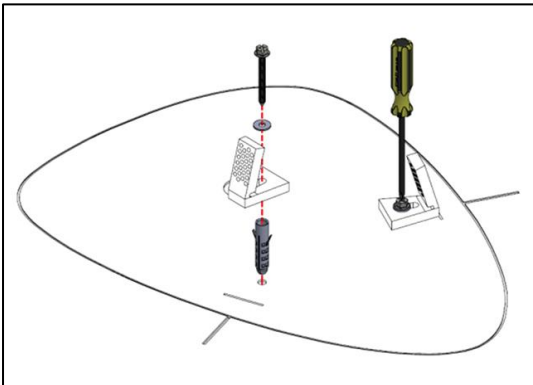
**MONOBLOCK WASHBASIN INSTALLATION
INSTRUCTIONS**



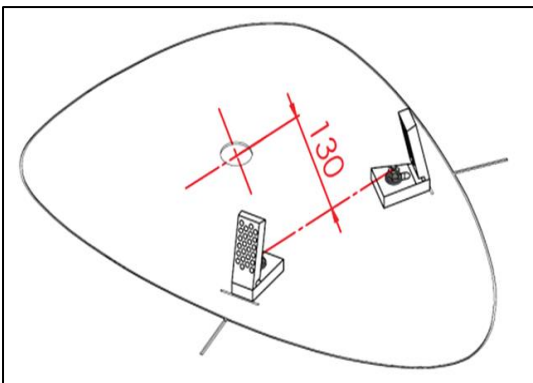
Mark washbasin edges to the installation surface.



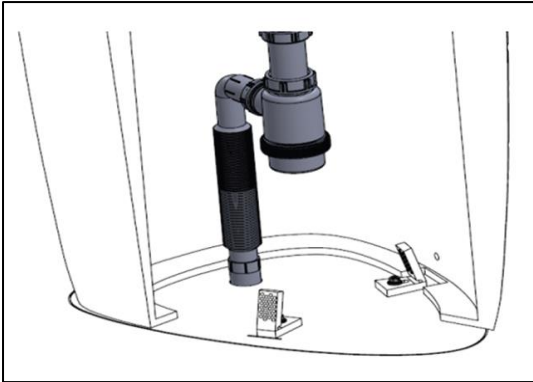
Mark the location of the installation apparatus.



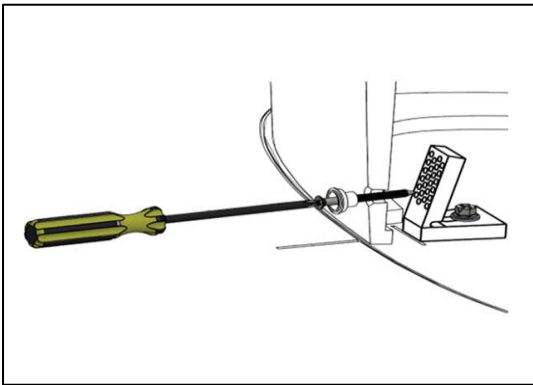
Open holes and fix the apparatus.



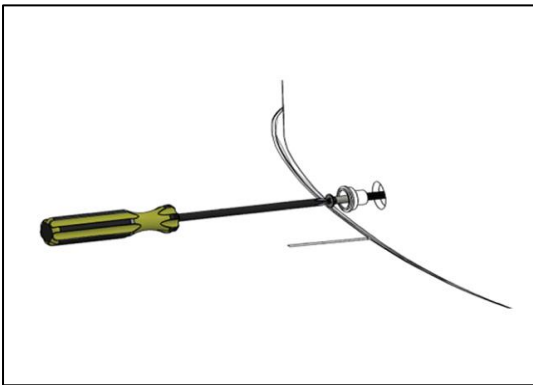
Make sure that the waste water outlet is located on the wide base side of the washbasin.



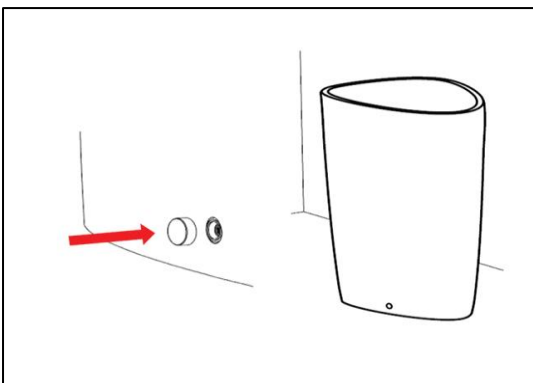
Insert the syphon end to the outlet and place the washbasin.



Place the plastic bush and mounting screw.



Fix the washbasin.



Fix the mounting screw cap.