

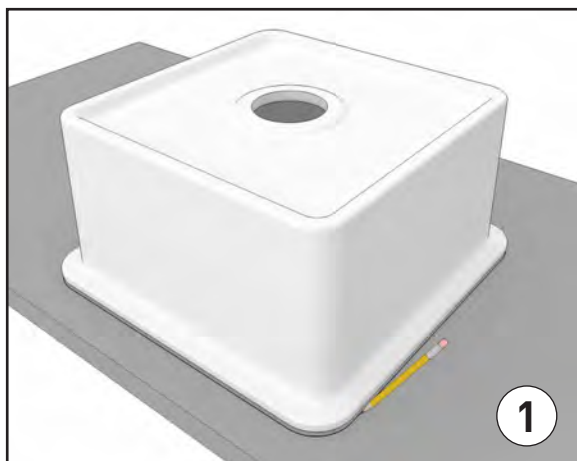
# **BOCCHI**

IL BAGNO PER TUTTI

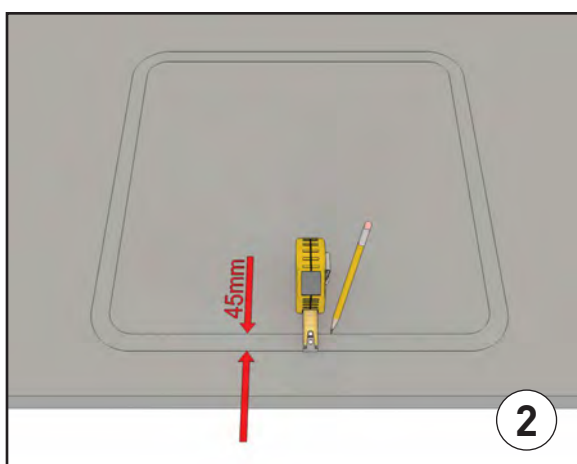


**UNDER-COUNTER KITCHEN SINK  
INSTALLATION INSTRUCTIONS**

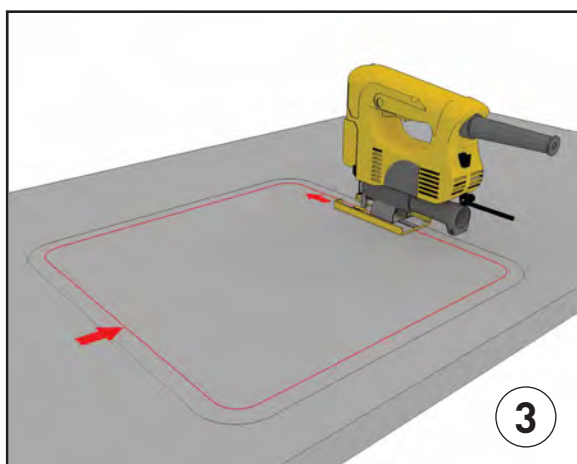
## Under-counter Kitchen Sink Installation



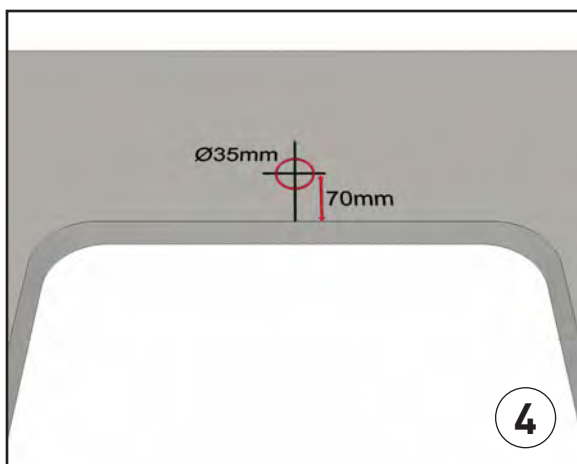
Temporarily place the product on the underside of the countertop. Mark outer edges on mounting surface.



Remove the product. Mark the cutting line parallel to the 45 mm inner side of the marked line.

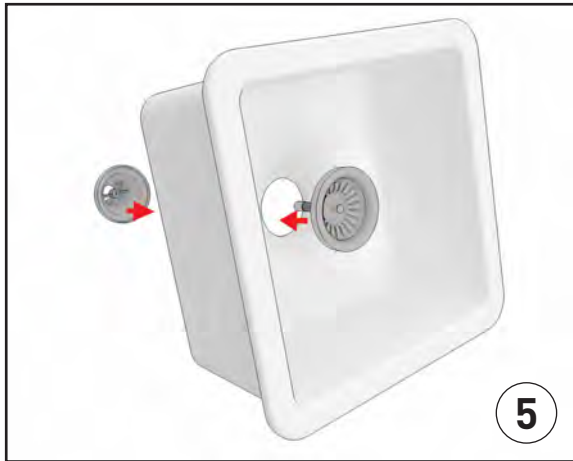


Cut the countertop along the marked line.

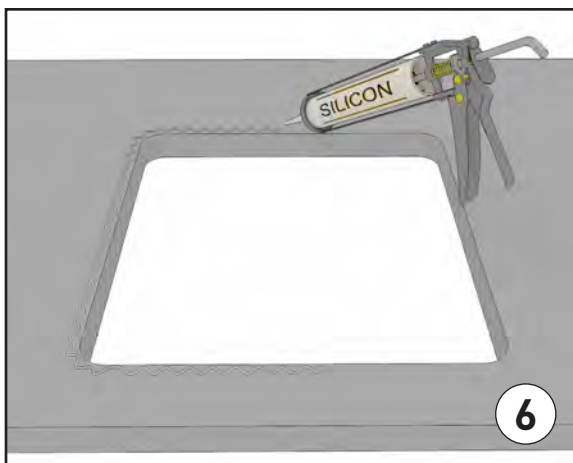


For armature hole position, mark the center of the reservoir and drill the hole from the marked part to the back side to 70 mm center with a 35 mm diameter punch.

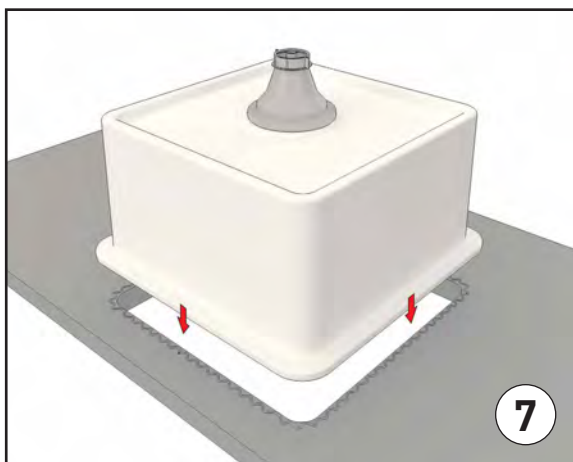
## Under-counter Kitchen Sink Installation



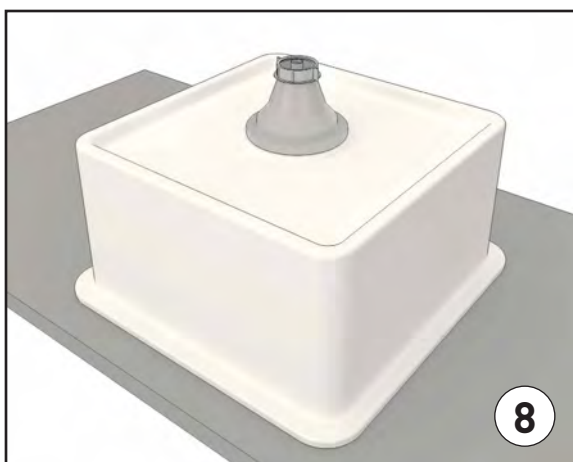
Install the siphon.



Apply silicone to the mounting surface of the countertop and to the cutting surface when using a wooden countertop.



Place the product.



Allow silicone to dry for 24 hours.